



by Grant E.M. Matheke and Pat Holloway

There is some evidence that leaching of chemicals does happen with *all weather* wood or *ground contact* wood. We suggest you use cedar or redwood on the plant box only to minimize this problem. You can use *all weather* wood or *ground contact* wood on other parts of the raised bed.

After constructing the top section, attach it to the bottom section with gabber screws. Drill holes at one-foot intervals in the bottom plywood. Then fill with container gardening soil.

Normal garden soil is not suitable for use in these planters because of poor drainage and aeration concerns in containers. Commercial soil mixes can be used but are expensive. Recipes for suitable soil mixes can be found in the Alaska Cooperative Extension publication 8GA-0037, 'Window Boxes' or in books on container gardening.

The addition of a water absorbing polymer such as Terra-Sorb™ or SuperSorb® will increase water holding capacity and porosity of your planting media. This allows for less frequent watering of our planters.



Peggy O'Neal planted and cared for the raised bed gardens during the summer of 2002.

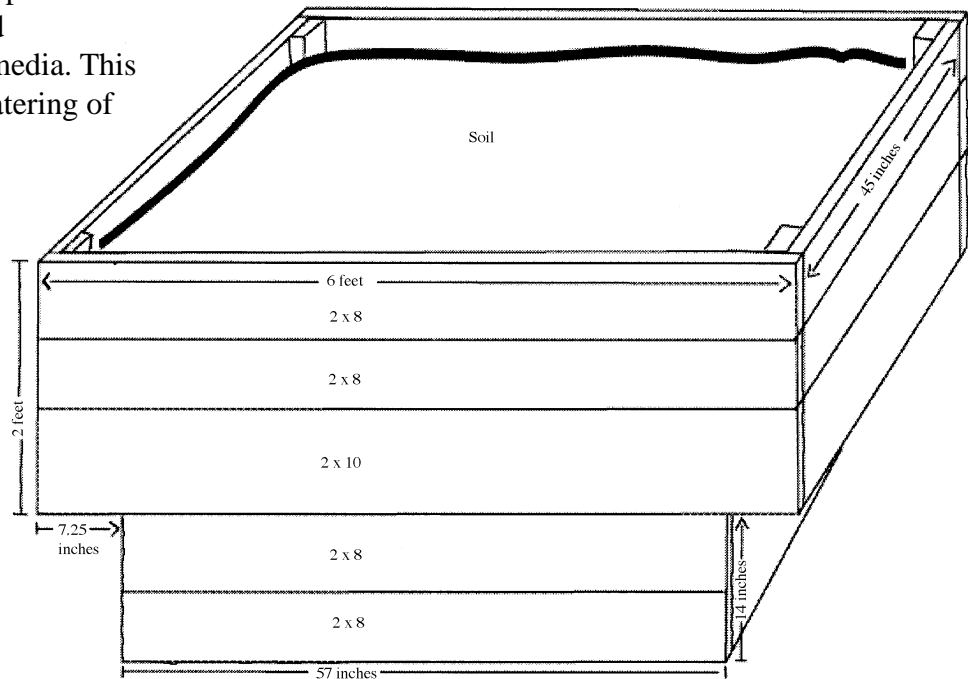


Figure 1. 3D view of tall planter. To construct a shorter version for wheelchair accessibility, eliminate the upper 2x8 row on the top section.

Table 1. Interior dimensions and volume of planter boxes.

	Width (ft)	Length (ft)	Depth (ft)	Volume (ft ³)
Tall Planter	3.67	5.67	1.5	31
Short Planter	3.67	5.67	0.92	19

Table 2. Materials list for handicap accessible planters.

1 box 3" grabber screws

Bottom section of both planters:

- 4 2" x 8" x 4'9.5" long side
- 4 2" x 8" x 4'9.5" short side
- 4 2" x 4" x 14" corner braces

Top section short planter:

- 2 2" x 10" x 6' long side
- 2 2" x 8" x 6' long side
- 2 2" x 10" x 4' short side
- 2 2" x 8" x 4' short side
- 3 2" x 4" x 13" corner braces
- 7 2" x 4" x 69" bottom supports
- 4' x 69" 3/4 marine or exterior plywood

Top section of tall planter:

- 2 2" x 10" x 6' long side
- 4 2" x 8" 6' long side
- 2 2" x 10" x 4' short side
- 4 2" x 8" x 4' short side
- 4 2" x 4" x 20.5" corner braces
- 7 2" x 4" x 69" bottom supports

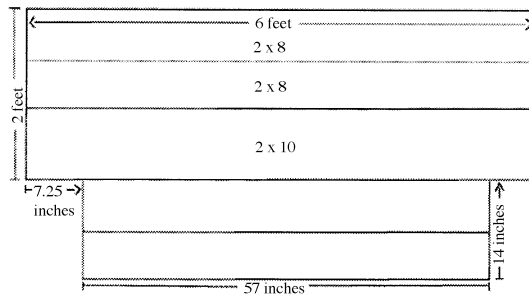


Figure 2. Side view of tall planter.

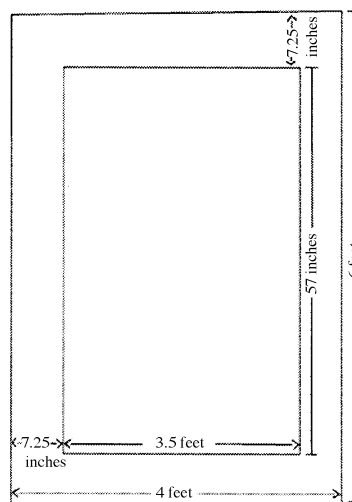


Figure 3. Top view of planters.

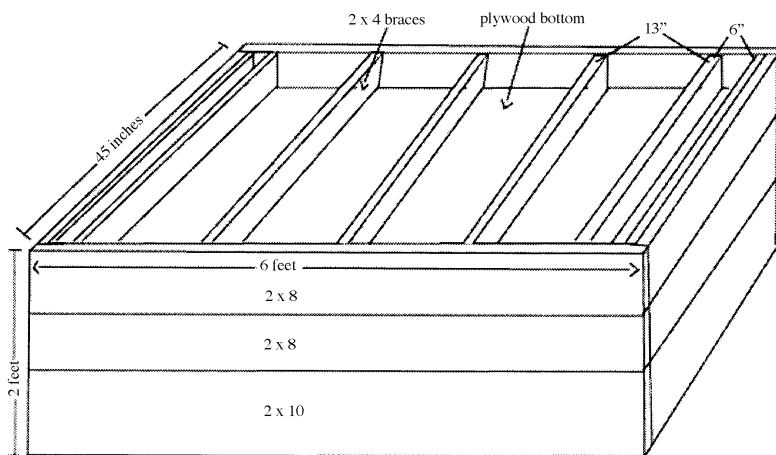


Figure 4. Top section of planter shown upside down to view construction. The first 2x4 brace is placed directly against the outside piece. The second bottom brace on either side is in 6 inches, then the remaining three braces are 13 inches apart. Drill holes at one-foot intervals before turning over.

